



SitLand S.p.A. è certificata secondo la Norma UNI EN ISO 9001:2008

Qualità Ambientale UNI EN ISO 14001:2004



- il migliore rapporto qualità prezzo
- the best ratio performance price
- le meilleur rapport qualité prix
- das beste verhältnis qualität preis
- la mejor relación calidad precio
- a melhor relação qualidade preço

EN 1728
EN 1385
DLGS 81/08



5 years guarantee

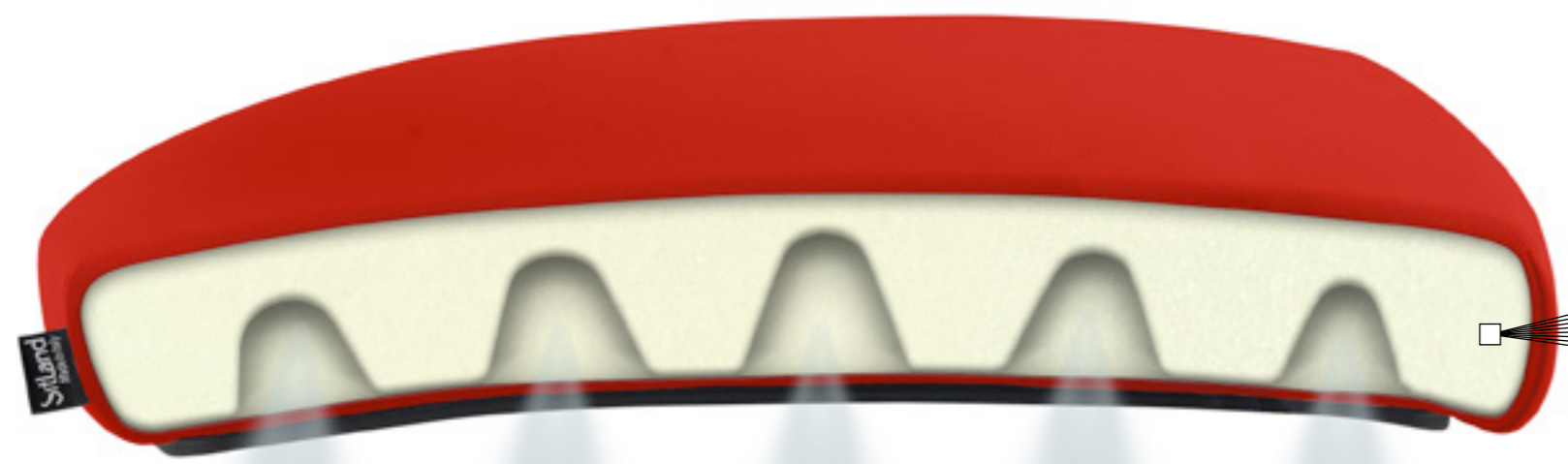
made in Italy



restart

Team Strike	8
Soffio	16
Mesh Line	22
Note	30
Invicta Plus	40
Invicta Point	52
Be Quadra	58
1 Mas	64
Body	70
Ice	76
Classic	84
Classic +	90
Jolly	98
Uni	104
Unimesh	116
Mail	124
Mikado	138
Canapè	150
Canapè GL	156





- Team Strike
- Soffio
- Mesh Line
- Note
- Invicta
- Be Quadra
- Uni
- Unimesh

- Queste sedie utilizzano per il sedile il sistema Comfort Air System in schiuma flessibile indeformabile ad alto valore.
- These chairs are produced with Comfort Air System foam, flexible, crushproof, high-value.*
- L'assise de ces sièges est réalisée avec le système Comfort Air System en mousse flexible et indéformable de haute valeur.*
- Bei diesen Stühlen wird die Sitzpolsterung mit dem Comfort Air System realisiert, welches aus einem hochwertigem, flexiblem, unverformbarem Schaumstoff besteht.*
- Para el asiento estas silla utilizan el sistema Comfort Air System con goma flexible e indeformable de alta calidad.



Team Strike



Comfort Air System

Questo sedile in schiuma flessibile indeformabile utilizza il sistema Comfort Air System.

This seat is produced with flexible crush-proof injected foam, Comfort Air System.

Team Strike







Soffio



Comfort Air System

Questo sedile in schiuma flessibile indeformabile utilizza il sistema Comfort Air System.

This seat is produced with flexible crush-proof injected foam, Comfort Air System.



Soffio







Comfort Air System

Questo sedile in schiuma flessibile indeformabile utilizza il sistema Comfort Air System.

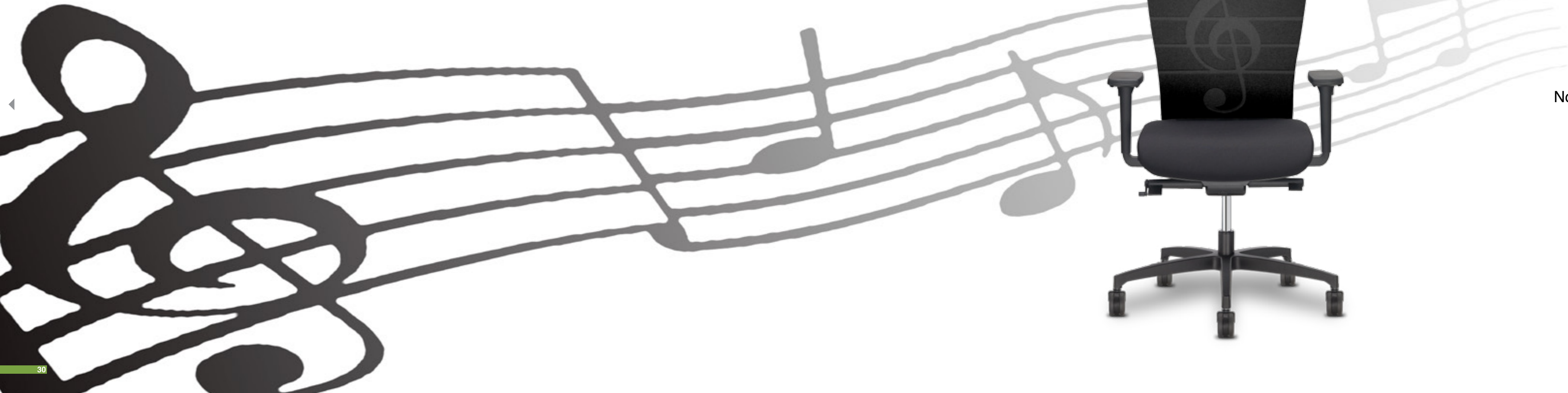
This seat is produced with flexible crush-proof injected foam, Comfort Air System



Mesh Line







Note



Comfort Air System

Questo sedile in schiuma flessibile indeformabile utilizza il sistema Comfort Air System.

This seat is produced with flexible crush-proof injected foam, Comfort Air System.

Note









Invicta Plus



Comfort Air System

Questo sedile in schiuma flessibile indeformabile utilizza il sistema Comfort Air System.

This seat is produced with flexible crush-proof injected foam, Comfort Air System.

Invicta Plus











Invicta Point





Pit Stop

- 10 secondi
- cambia look
- 19 colori

- 10 seconds
- change the look
- 19 colours

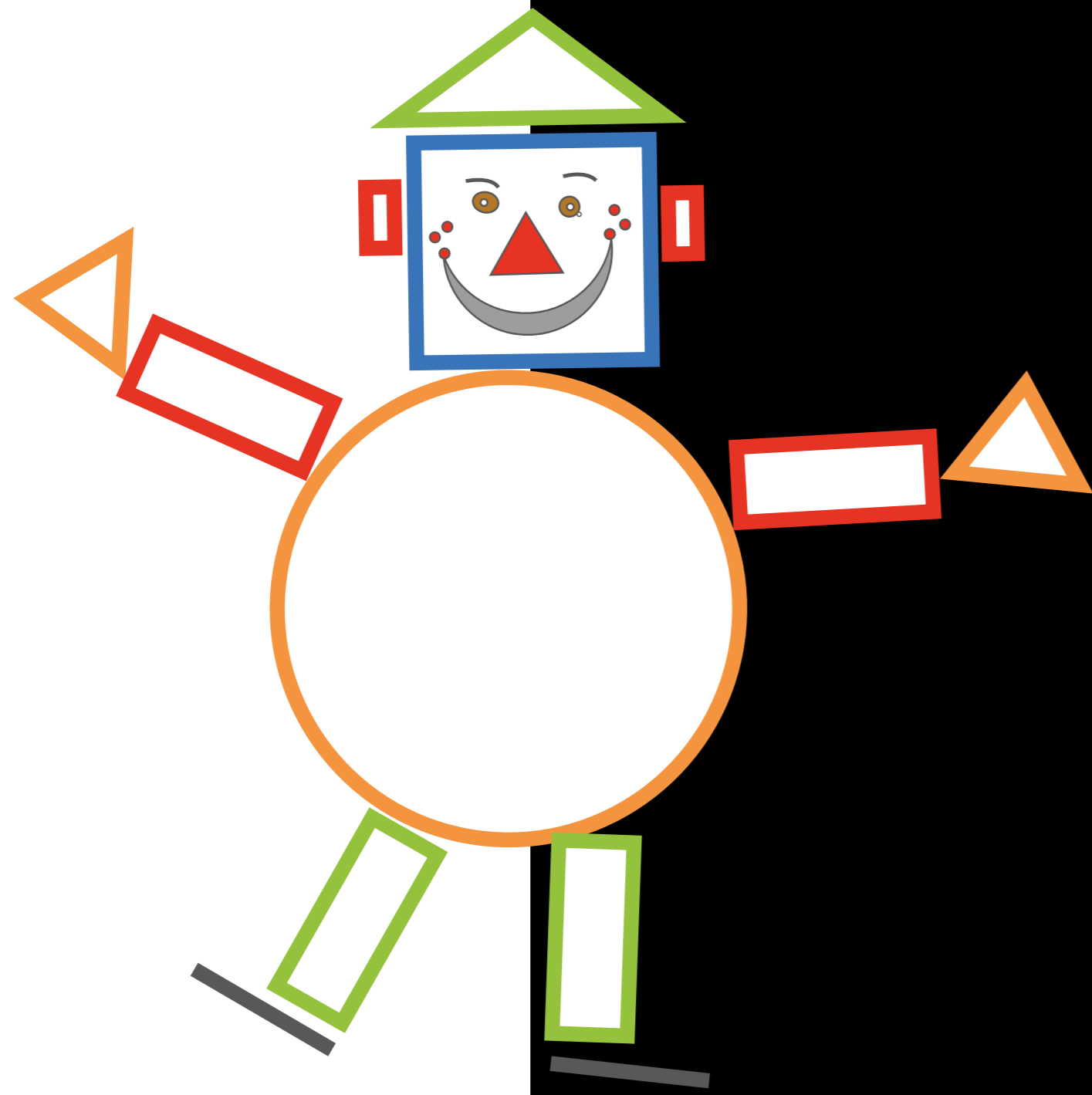
- 10 seconds
- change d'aspect
- 19 couleurs

- 10 Sekunden
- Neuer Look
- 19 Farben

- 10 segundos
- Nuevo aspecto
- 19 colores



Invicta Point



BeQuadra



Comfort Air System

Questo sedile in schiuma flessibile indeformabile utilizza il sistema Comfort Air System.

This seat is produced with flexible crush-proof injected foam, Comfort Air System.

BeQuadra





1 Mas







Body







Ice









Classic







Classic+















Uni



Comfort Air System

Questo sedile in schiuma flessibile indeformabile utilizza il sistema Comfort Air System.

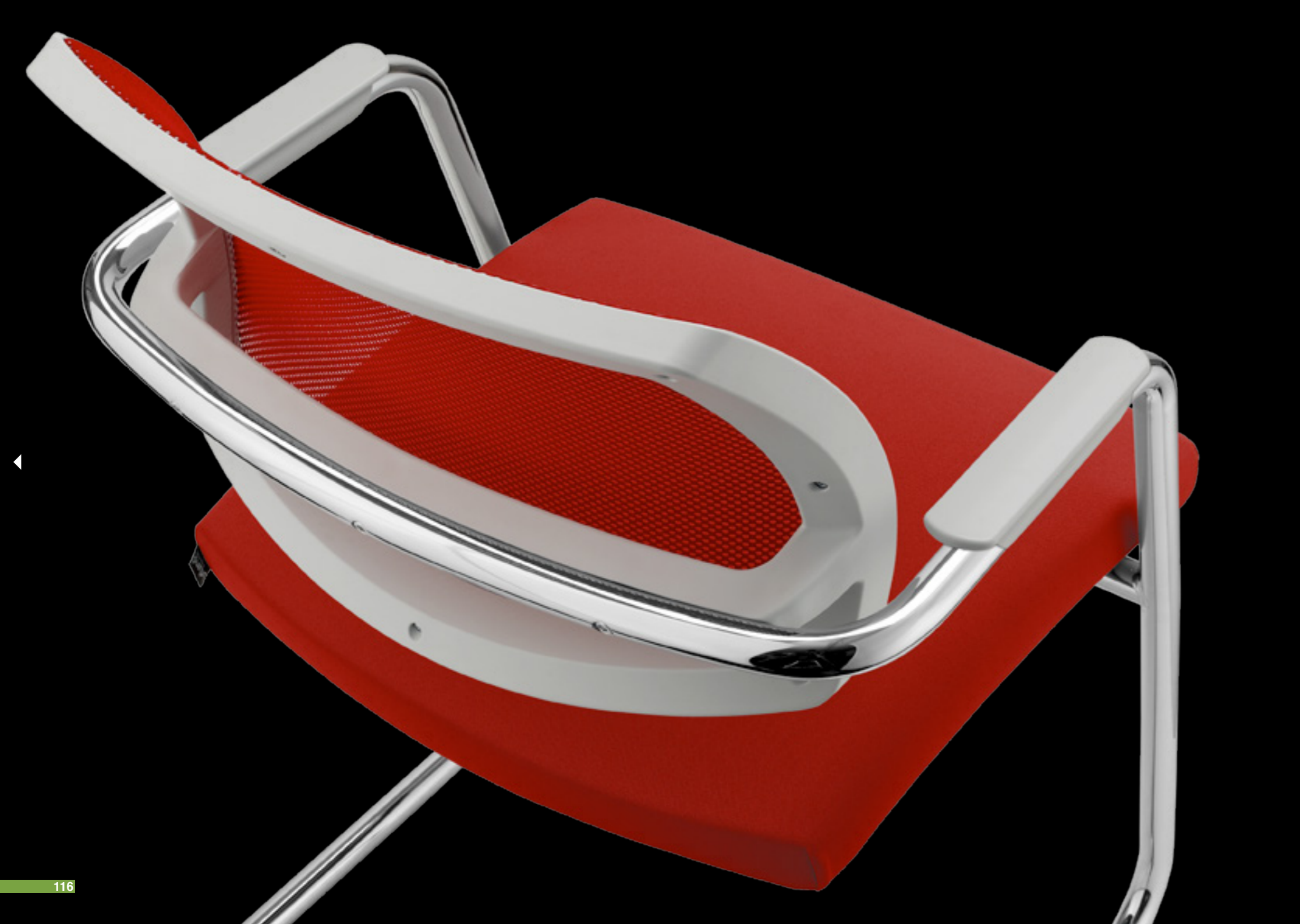
This seat is produced with flexible crush-proof injected foam, Comfort Air System.











Unimesh



Comfort Air System

Questo sedile in schiuma flessibile indeformabile utilizza il sistema Comfort Air System.

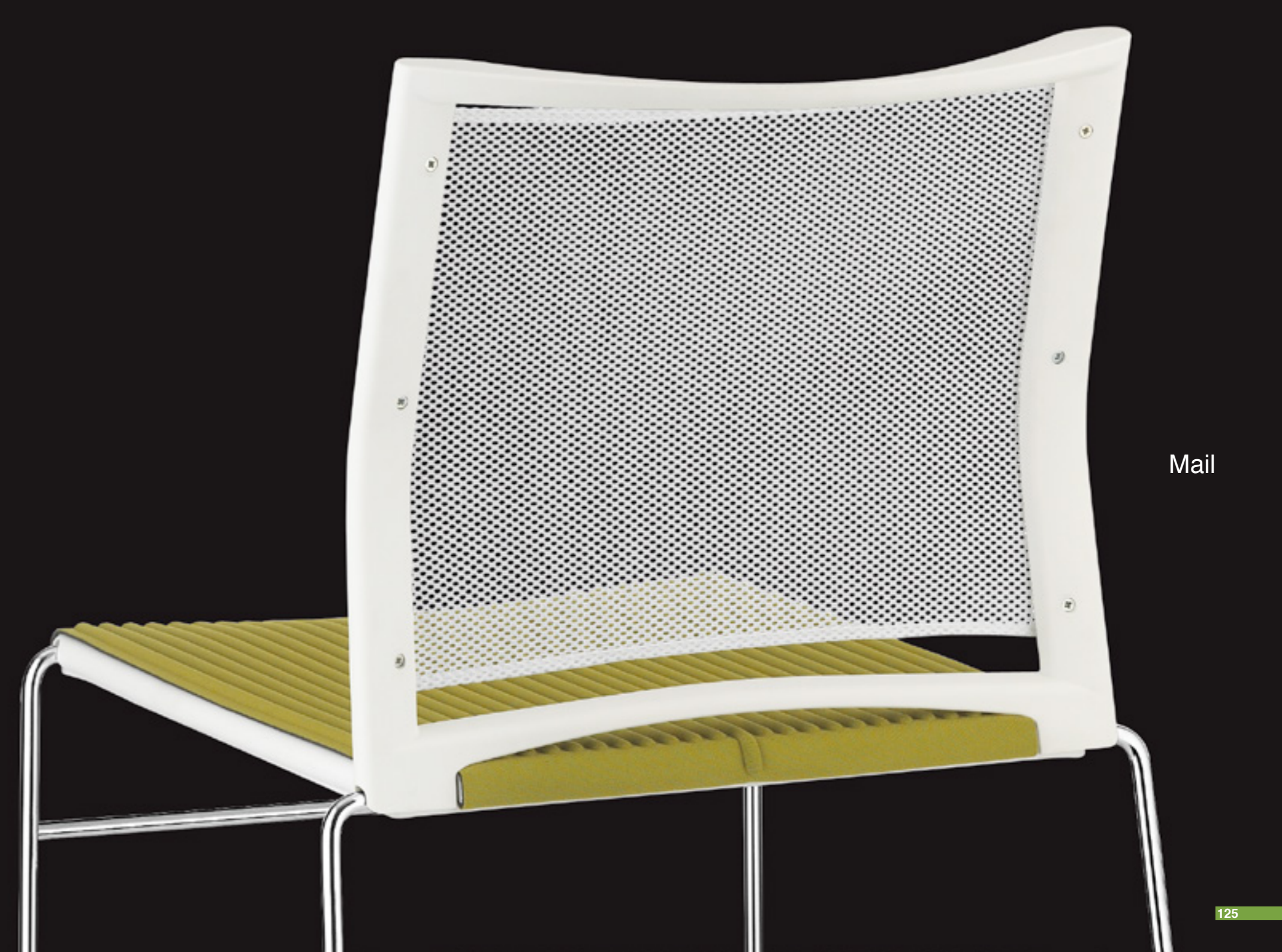
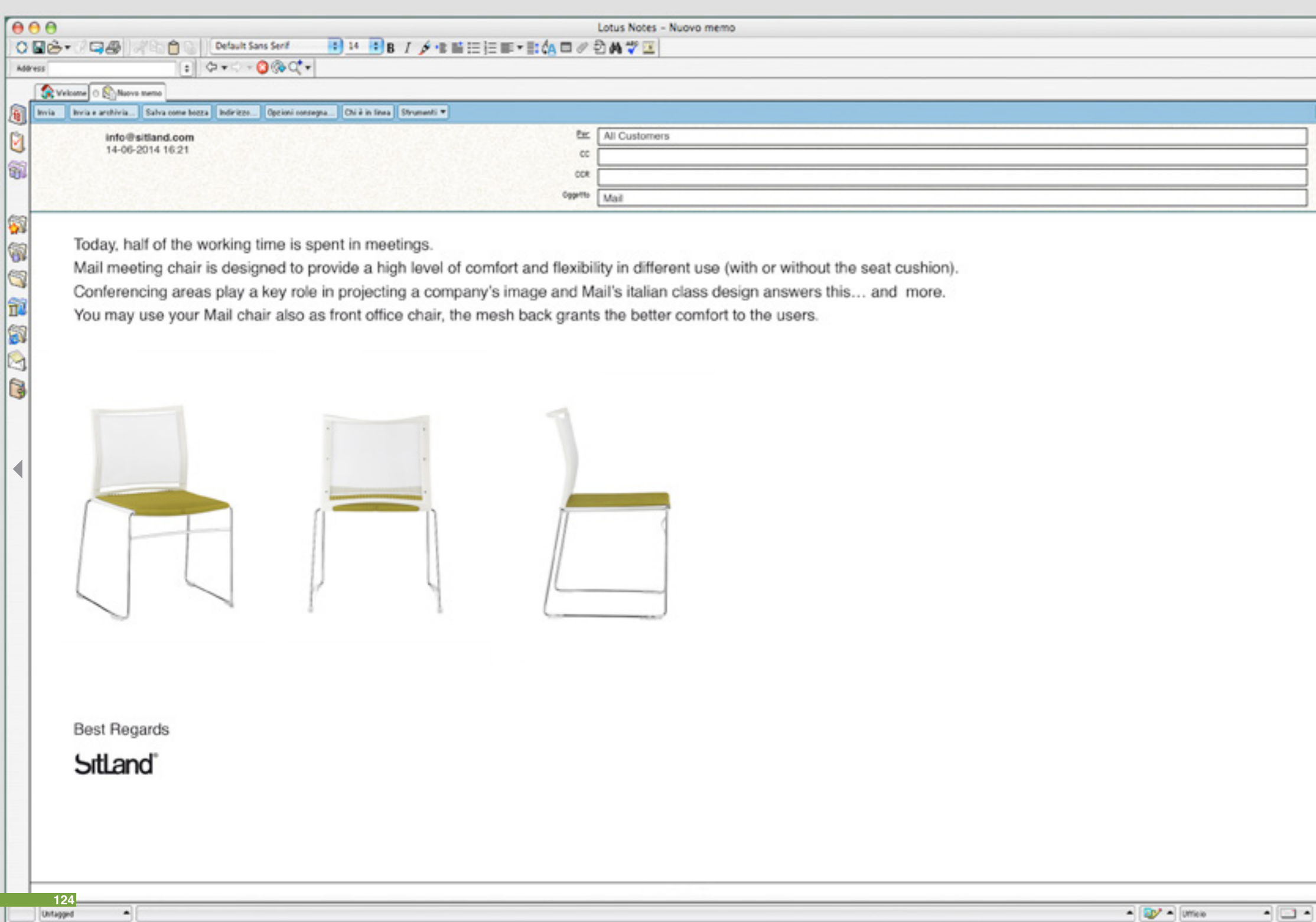
This seat is produced with flexible crush-proof injected foam, Comfort Air System.



Unimesh







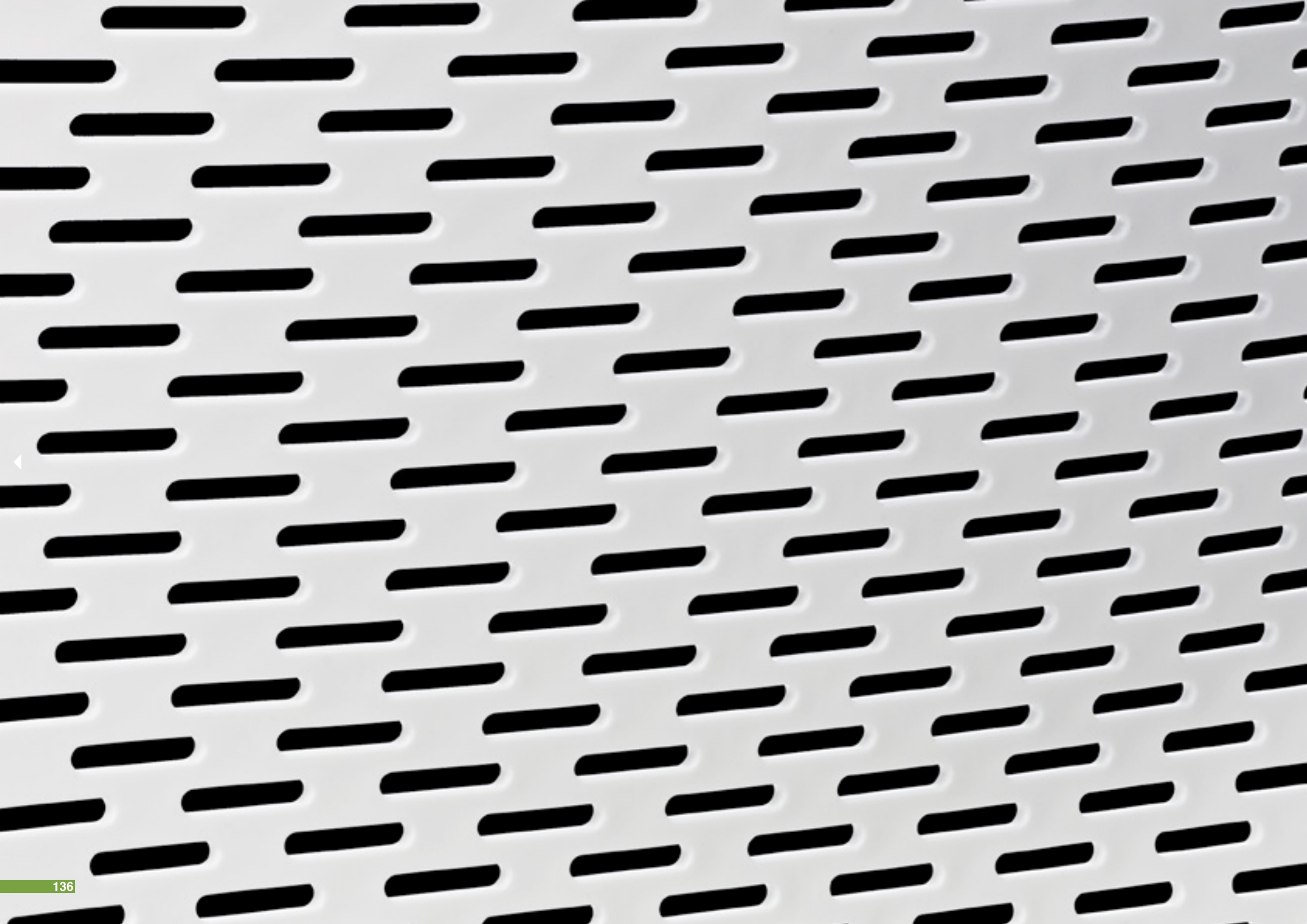


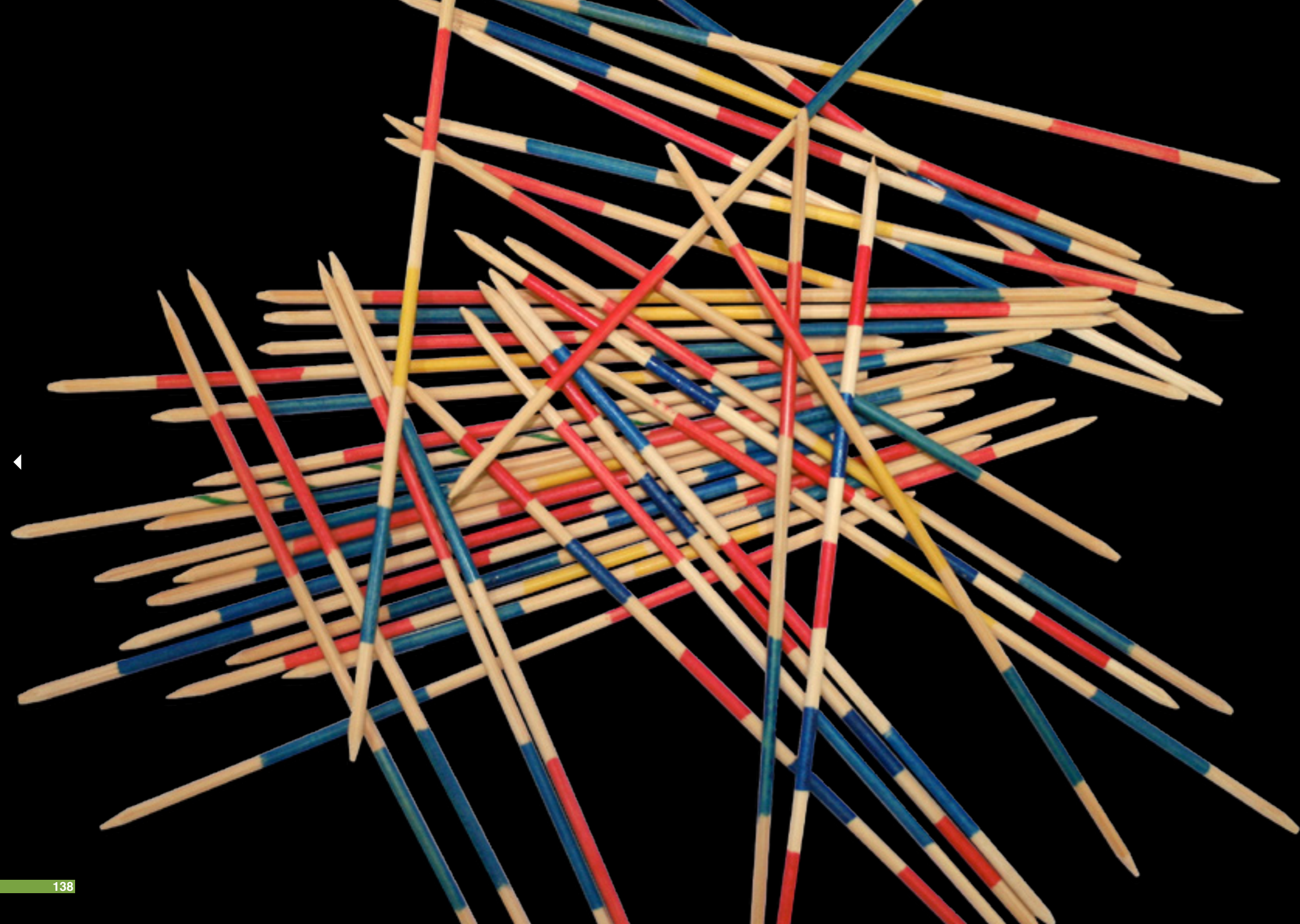










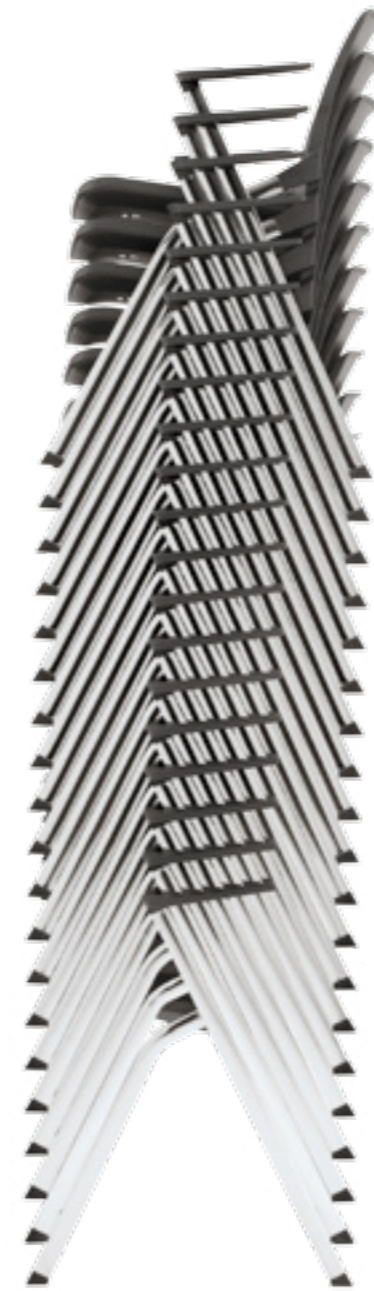


Mikado













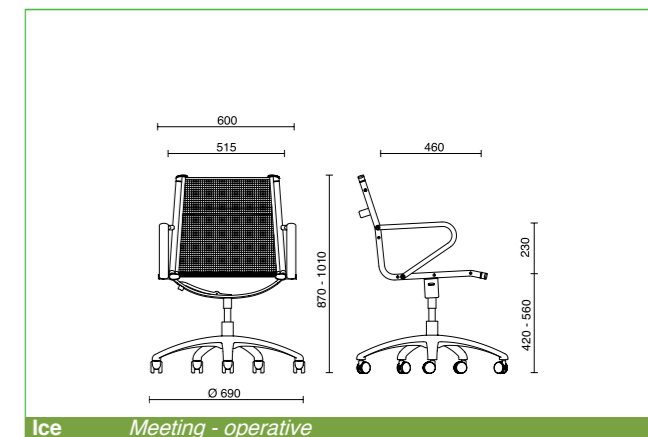
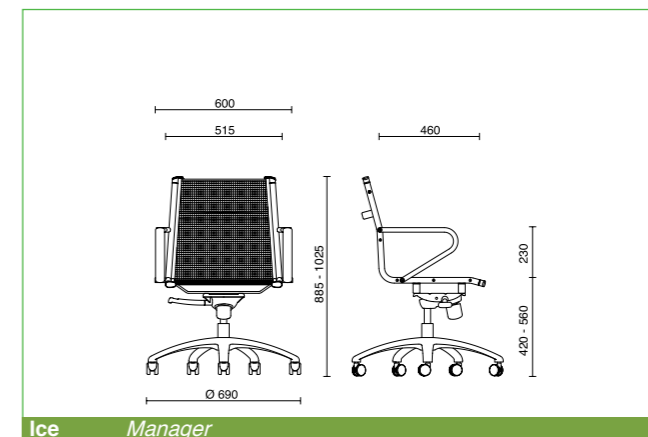
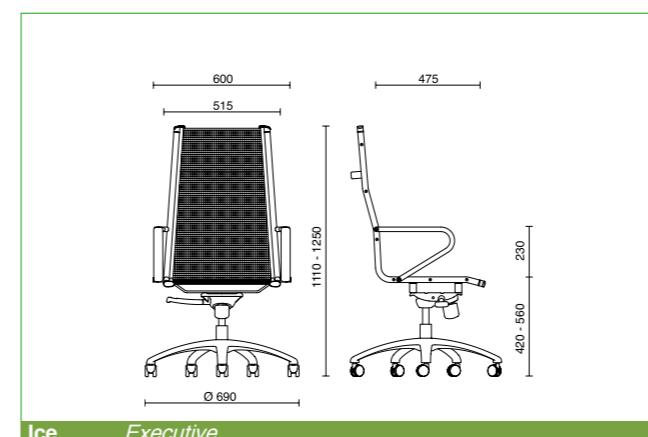
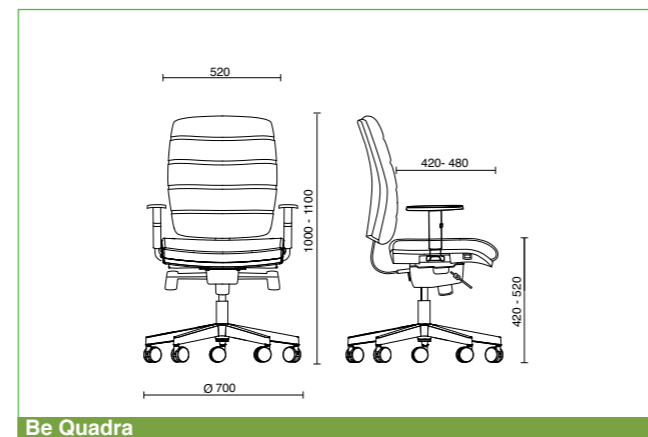
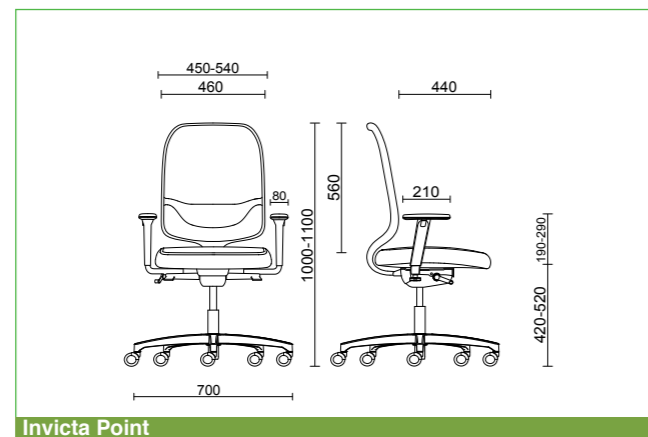
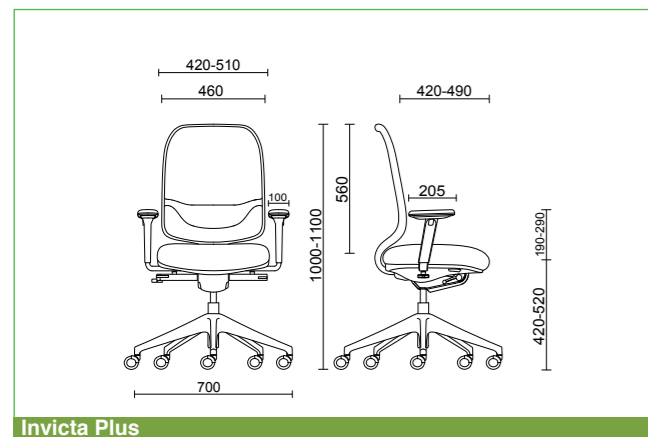
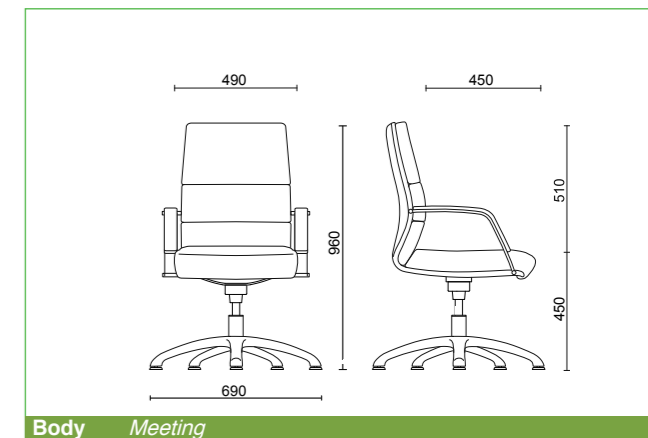
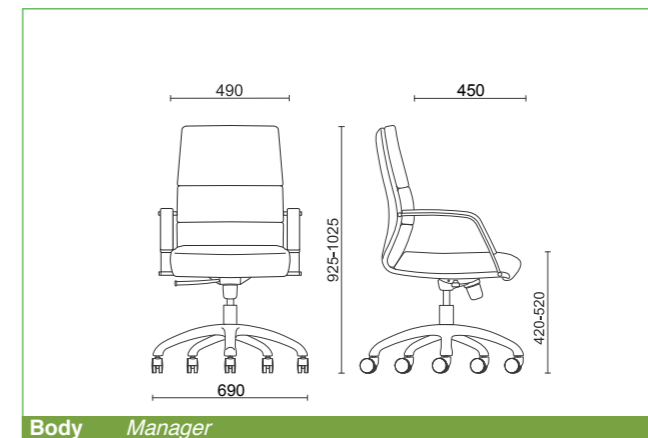
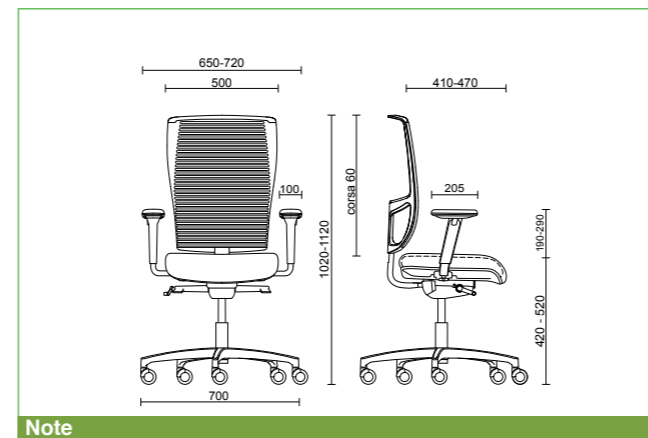
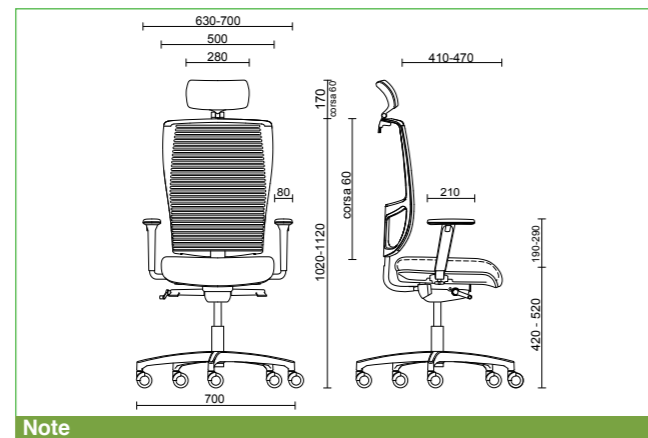
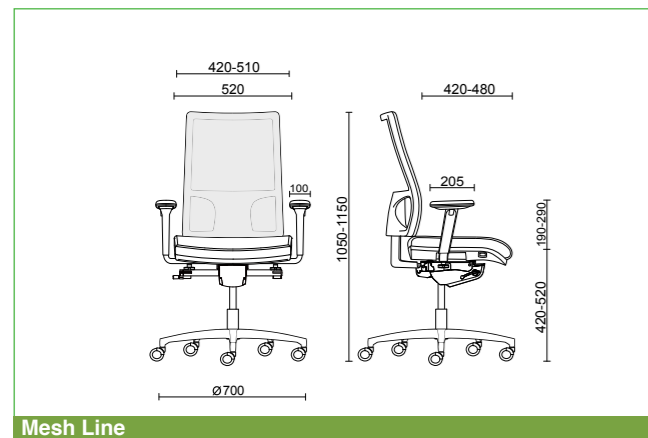
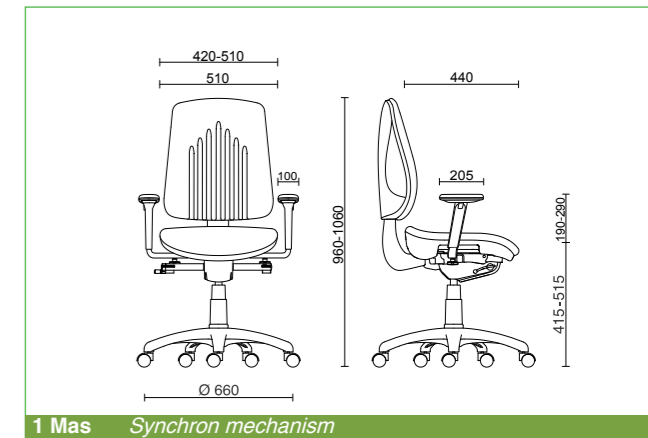
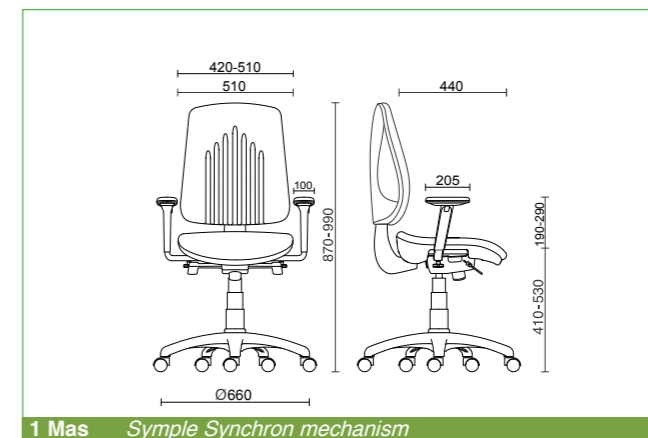
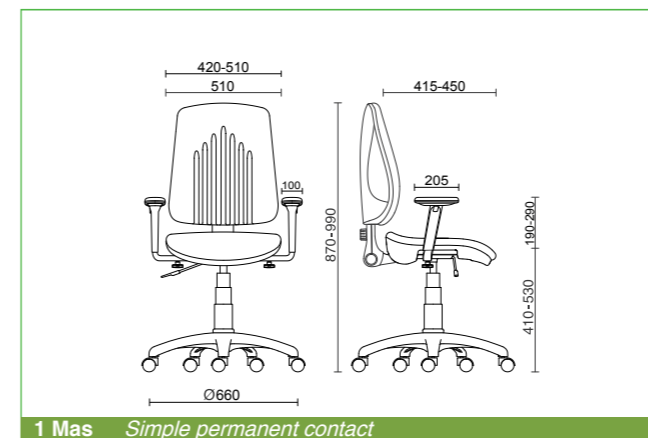
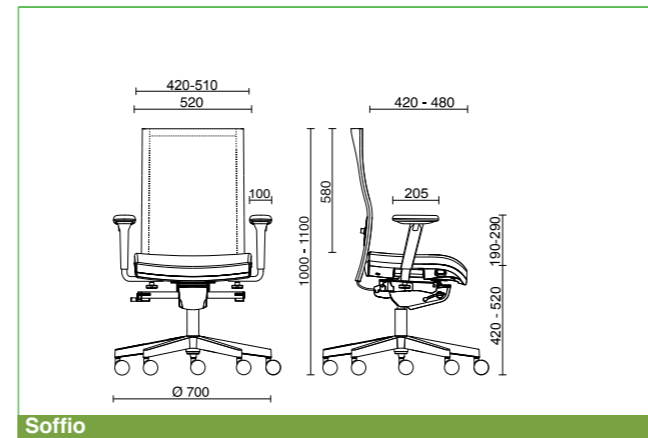
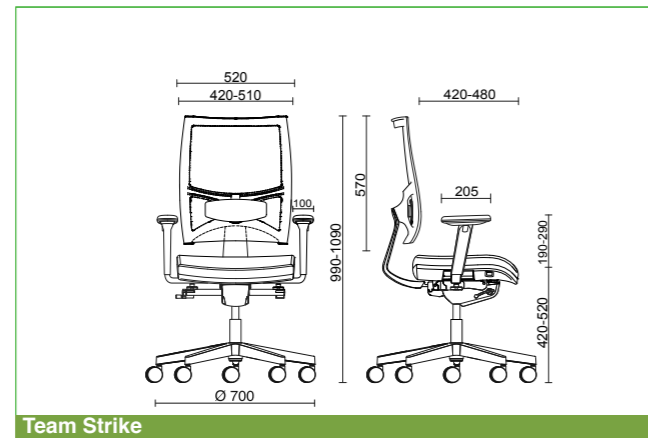
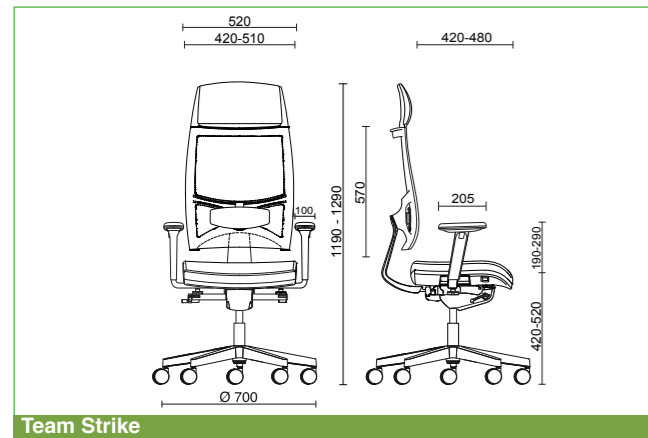
Canapè

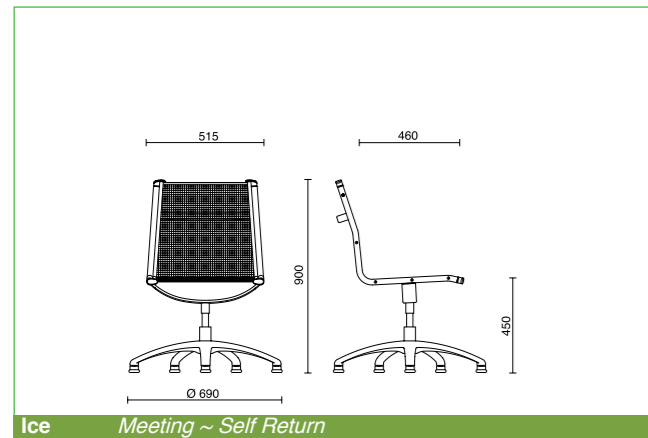




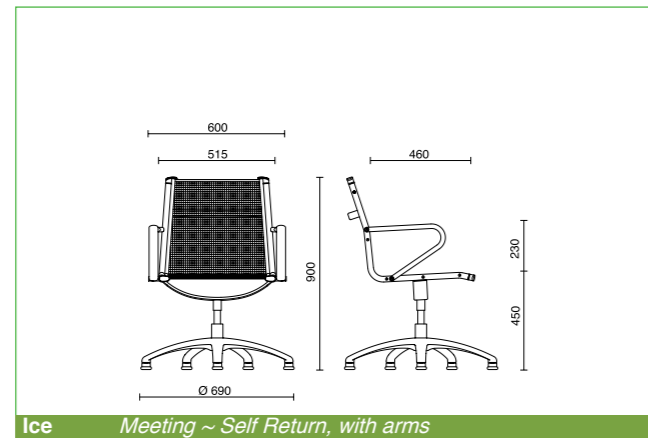




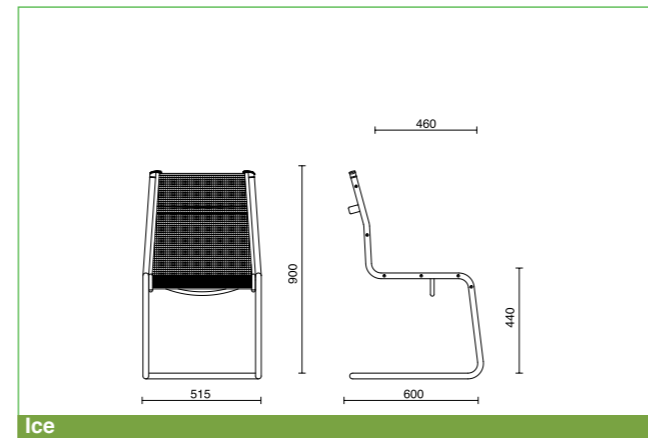




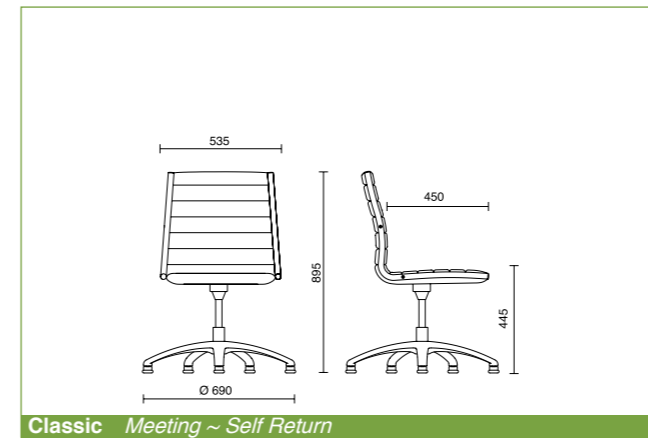
Ice Meeting ~ Self Return



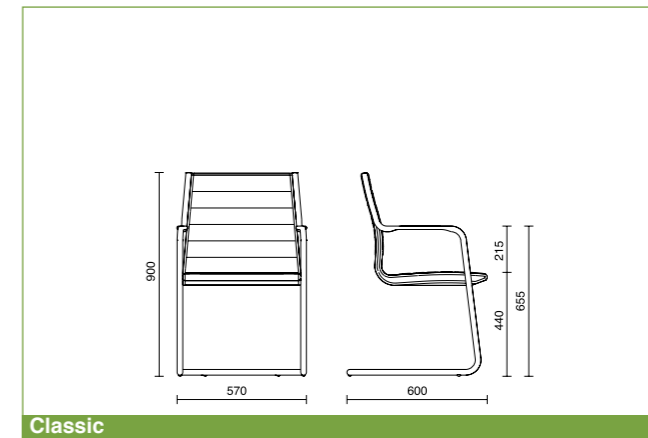
Ice Meeting ~ Self Return, with arms



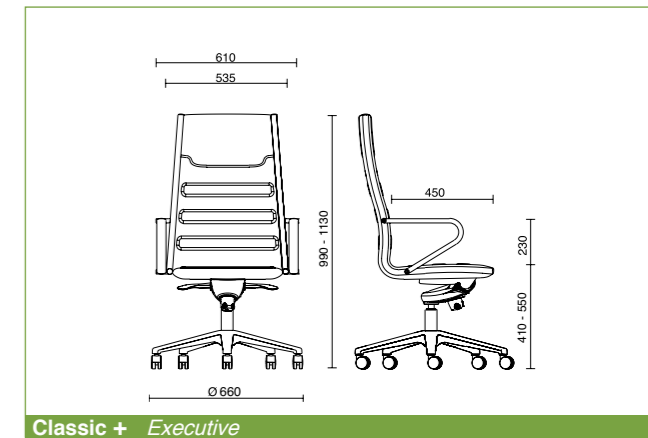
Ice



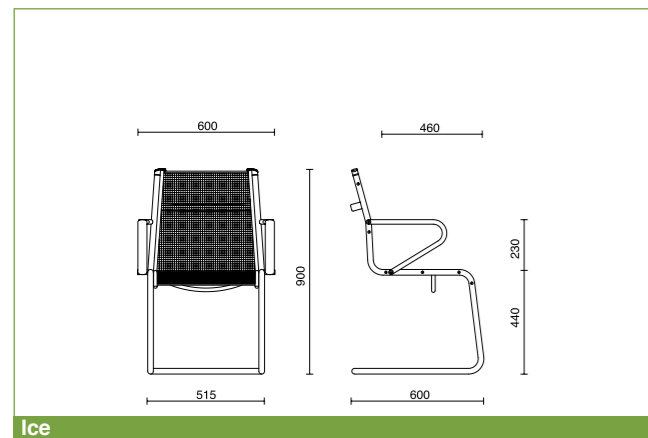
Classic Meeting ~ Self Return



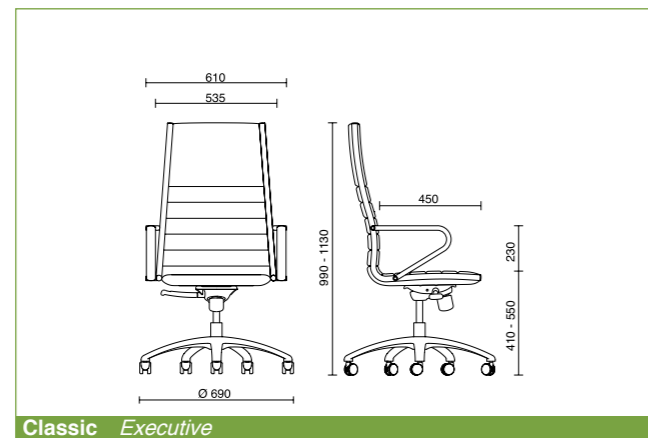
Classic



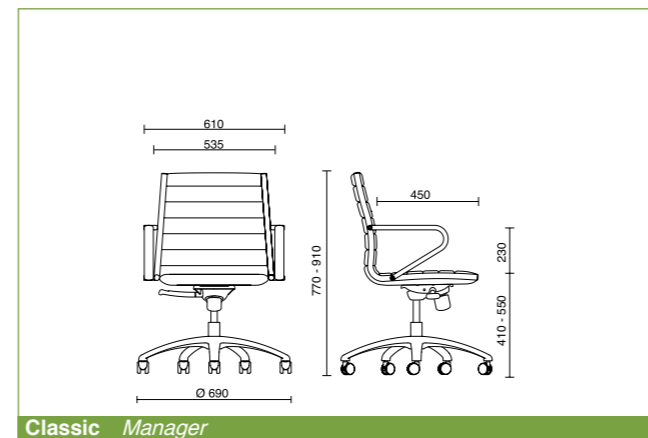
Classic + Executive



Ice



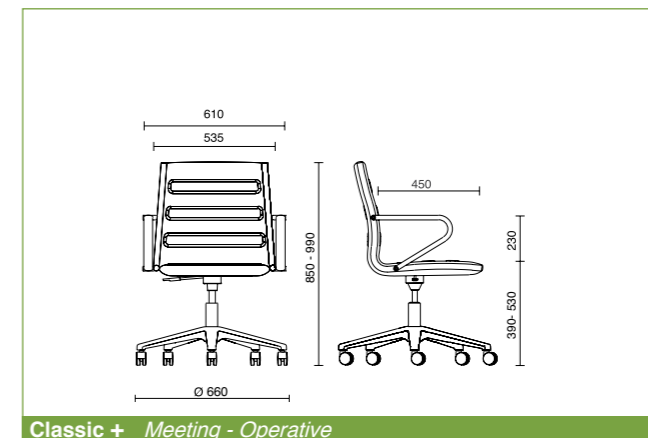
Classic Executive



Classic Manager



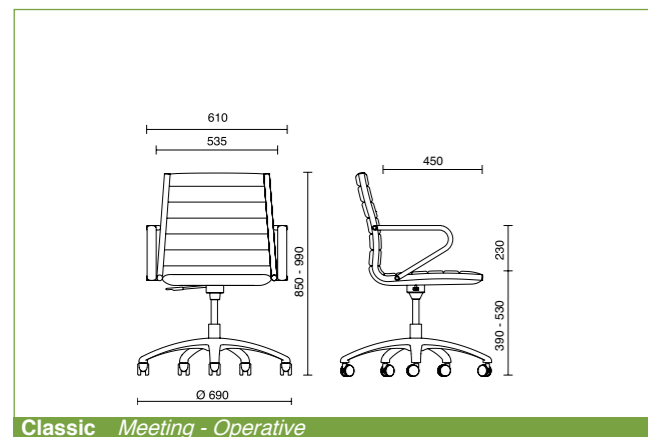
Classic + Manager



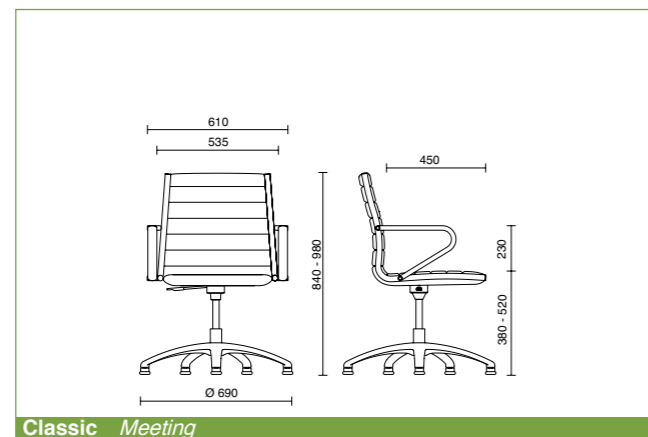
Classic + Meeting - Operative



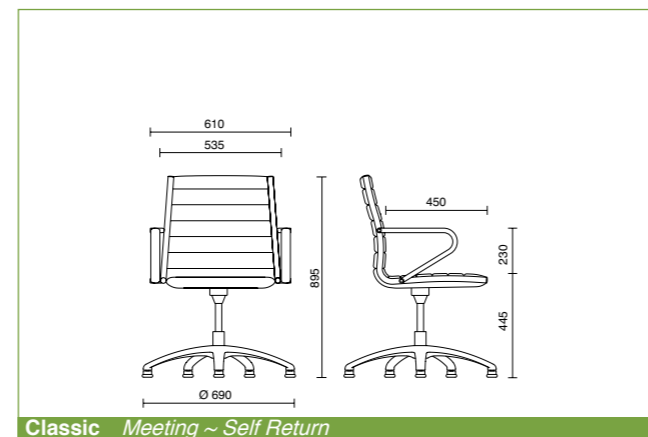
Classic + Meeting



Classic Meeting - Operative



Classic Meeting



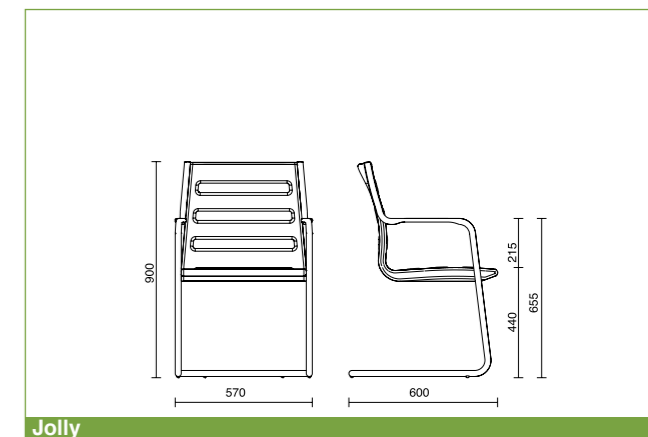
Classic Meeting ~ Self Return



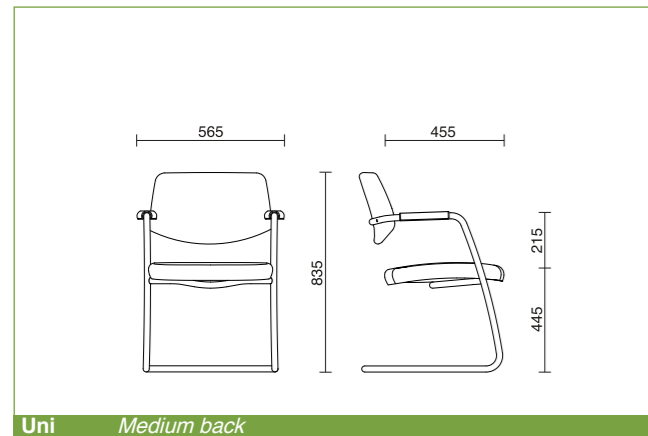
Classic + Meeting ~ Self Return, with arms



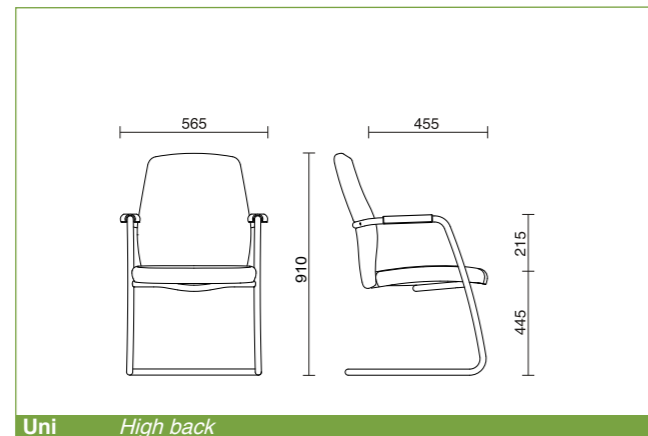
Classic + Meeting ~ Self Return



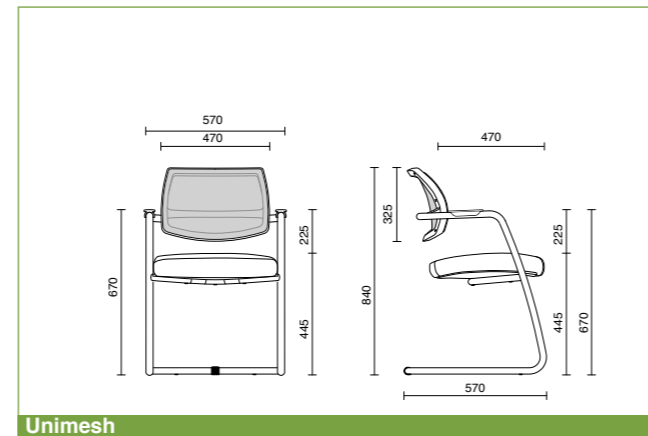
Jolly



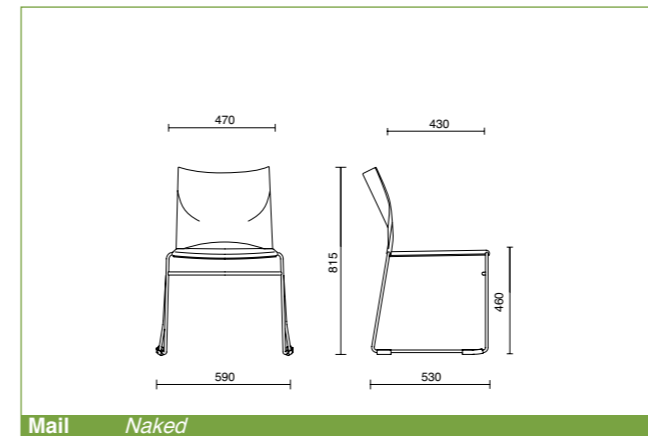
Uni *Medium back*



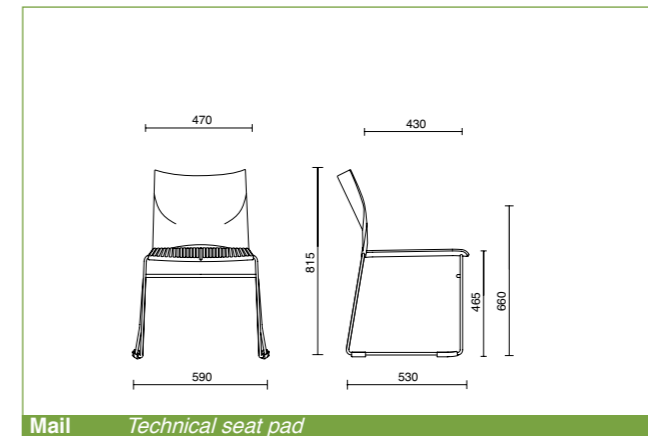
Uni *High back*



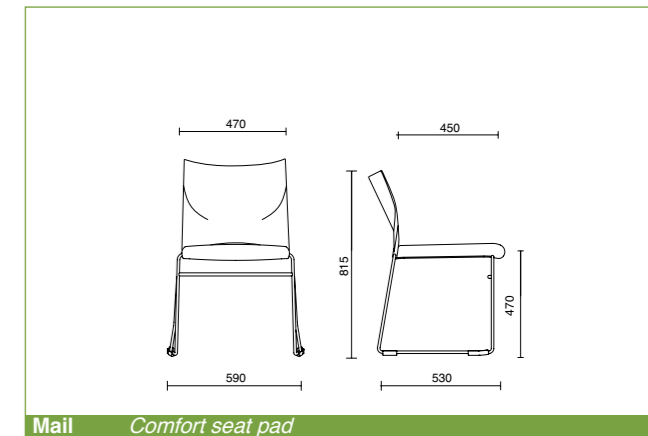
Unimesh



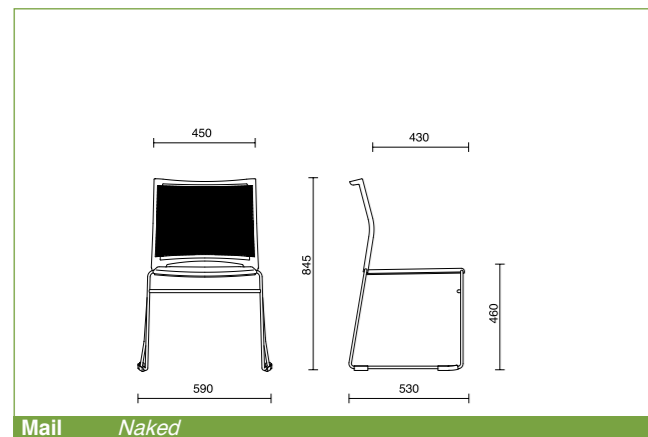
Mail *Naked*



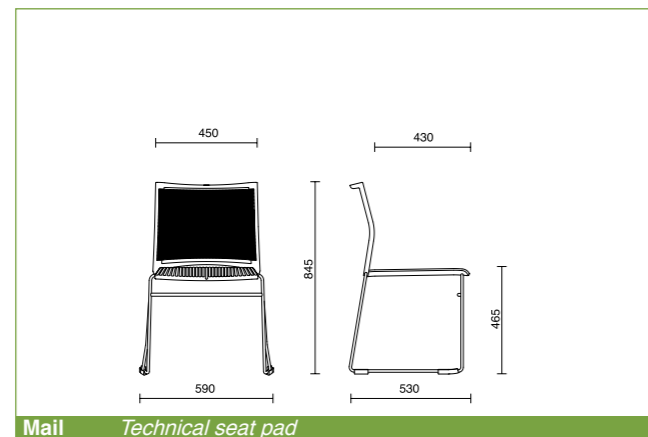
Mail *Technical seat pad*



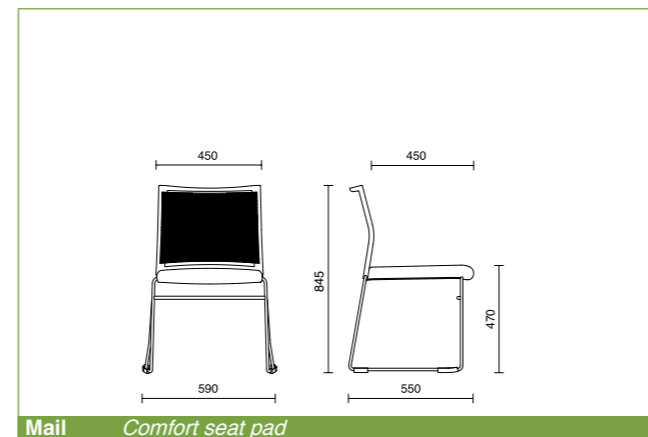
Mail *Comfort seat pad*



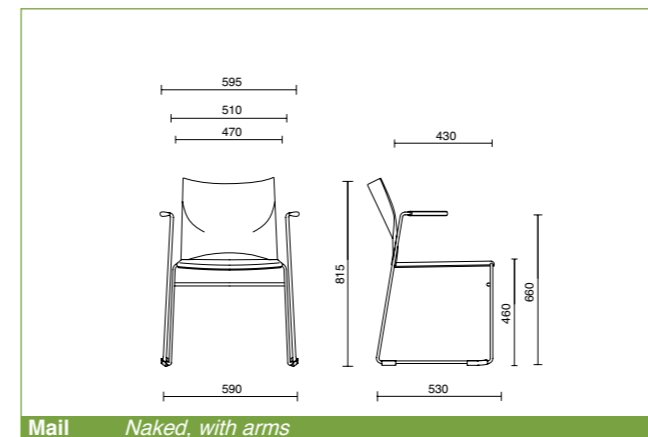
Mail *Naked*



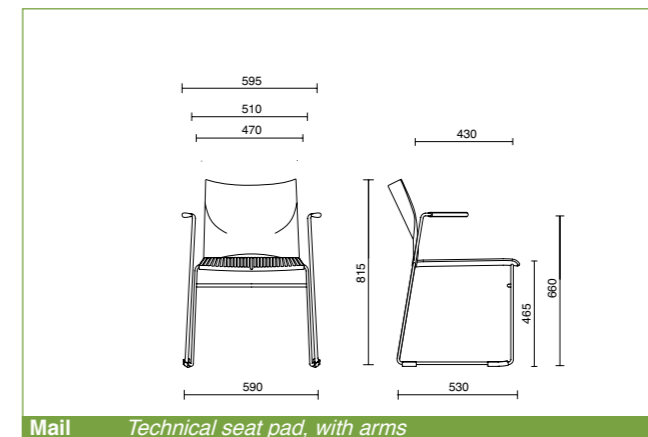
Mail *Technical seat pad*



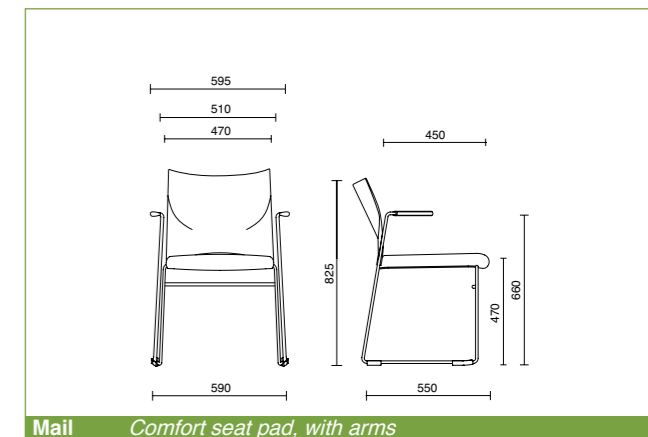
Mail *Comfort seat pad*



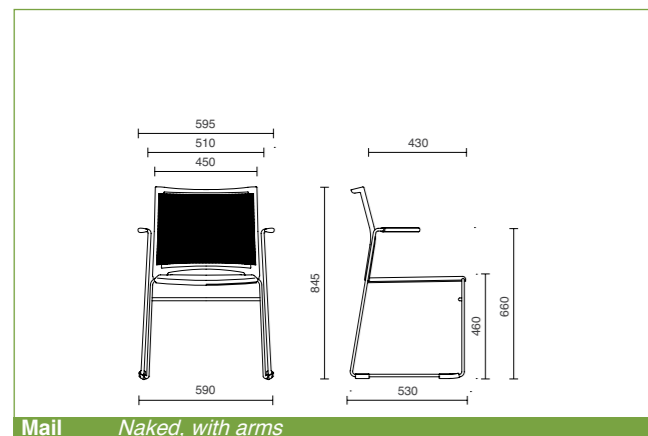
Mail *Naked, with arms*



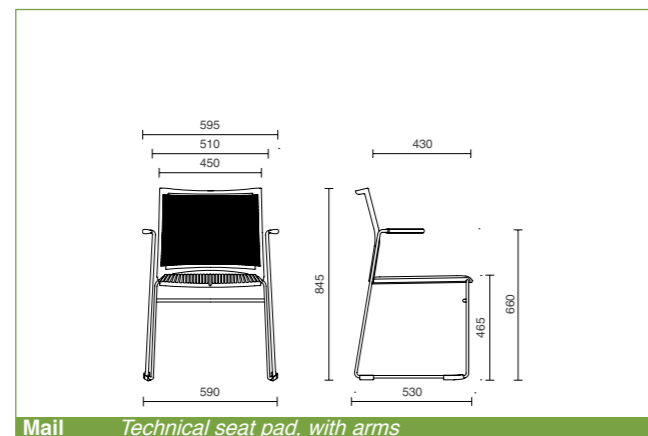
Mail *Technical seat pad, with arms*



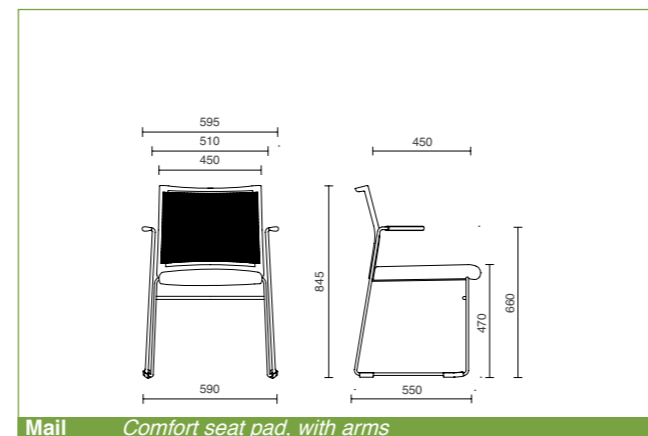
Mail *Comfort seat pad, with arms*



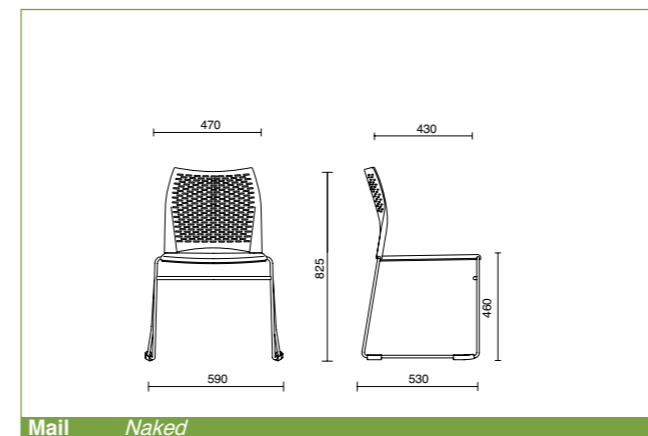
Mail *Naked, with arms*



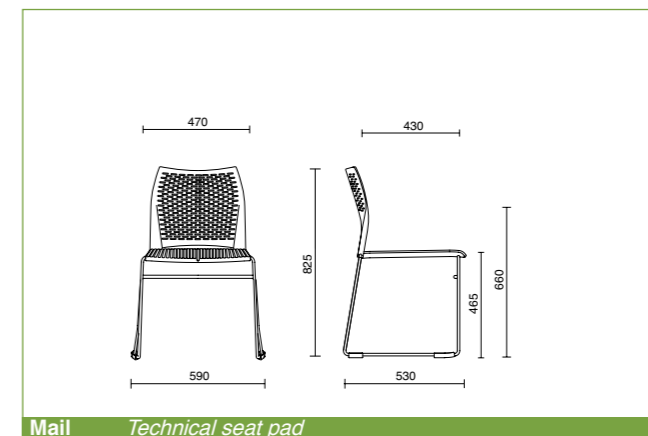
Mail *Technical seat pad, with arms*



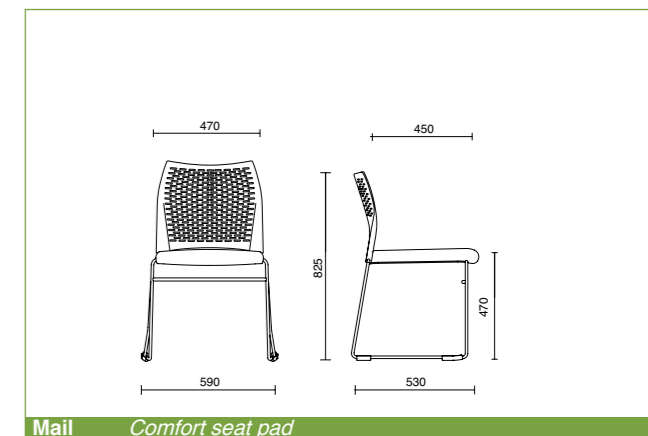
Mail *Comfort seat pad, with arms*



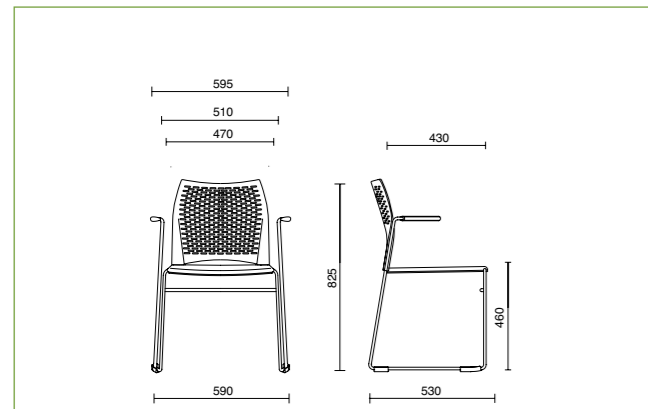
Mail *Naked*



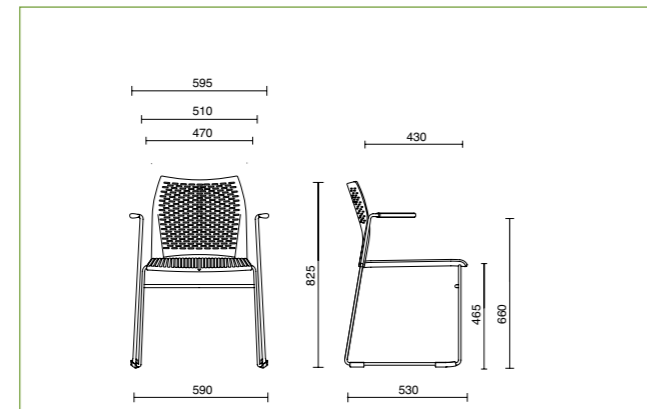
Mail *Technical seat pad*



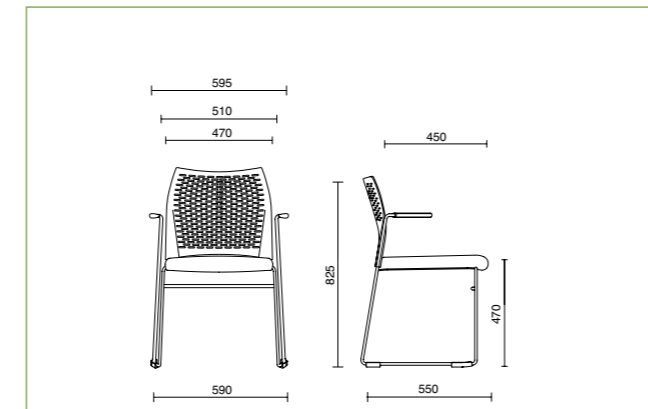
Mail *Comfort seat pad*



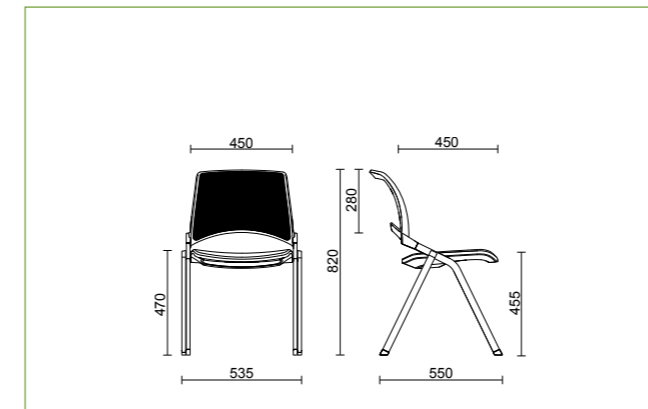
Mail Naked, with arms



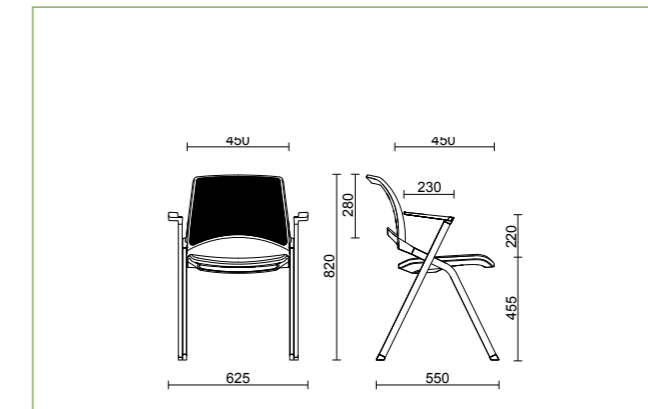
Mail Technical seat pad, with arms



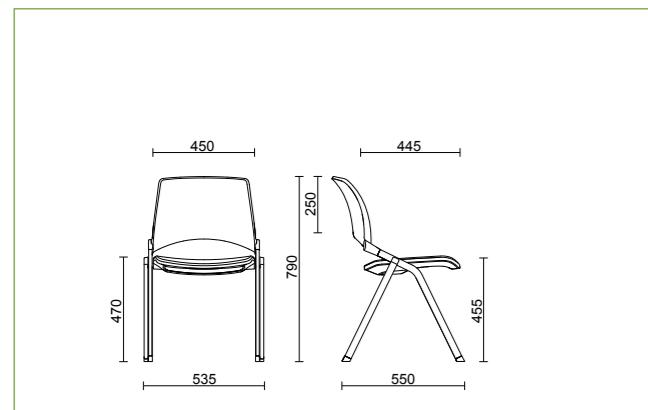
Mail Comfort seat pad, with arms



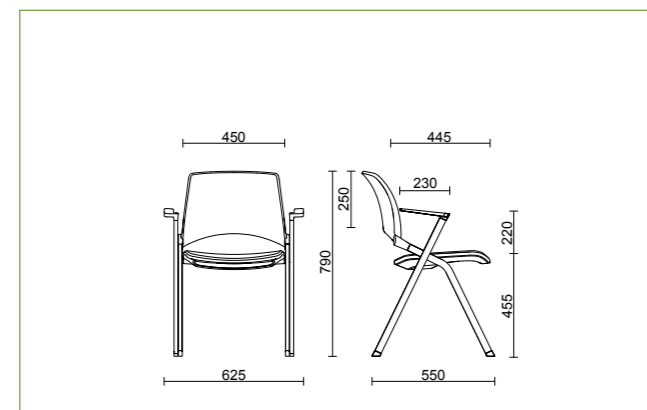
Mikado mesh



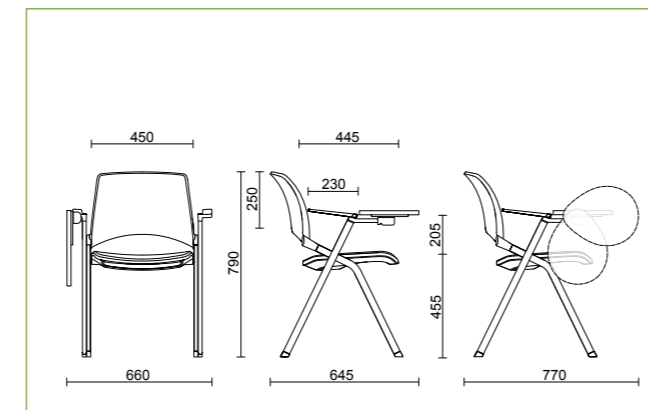
Mikado mesh with arms



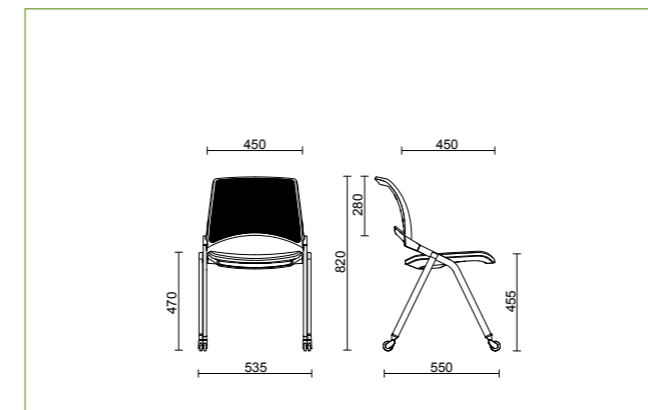
Mikado



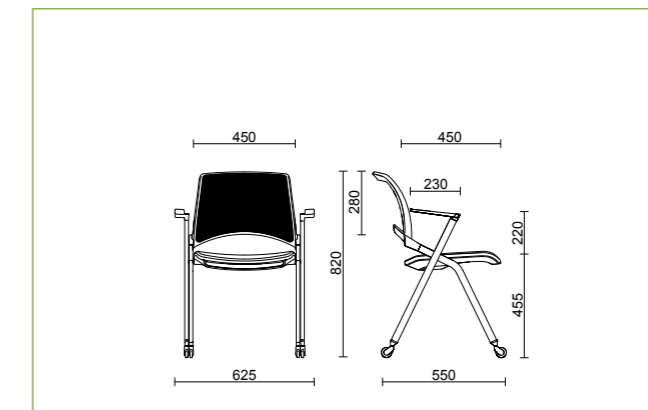
Mikado with arms



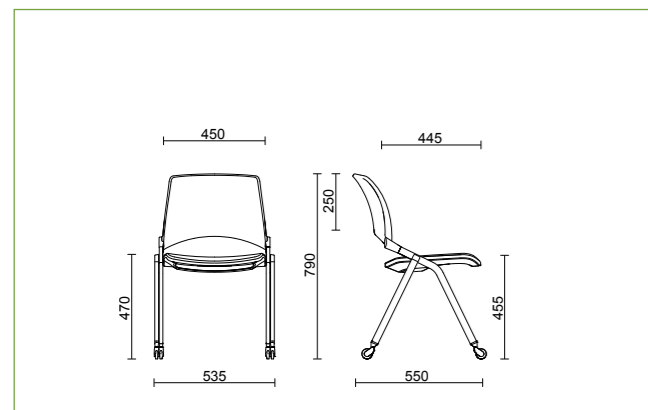
Mikado with writing tablet



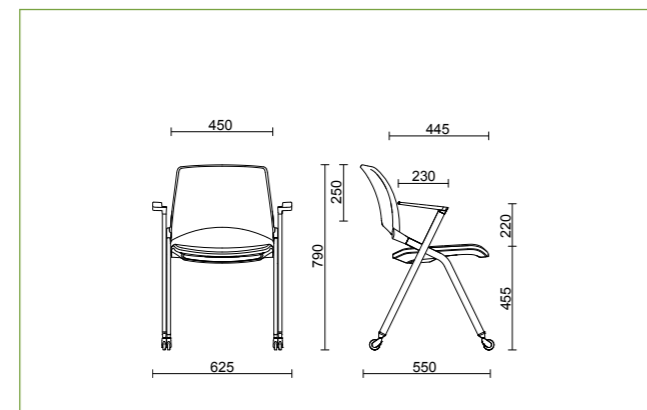
Mikado mesh on casters



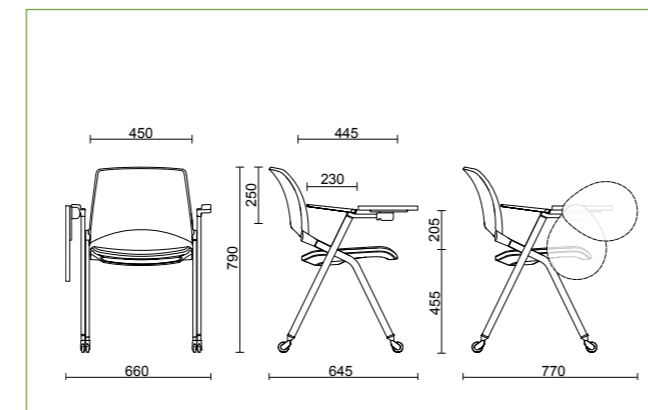
Mikado mesh on casters, with arms



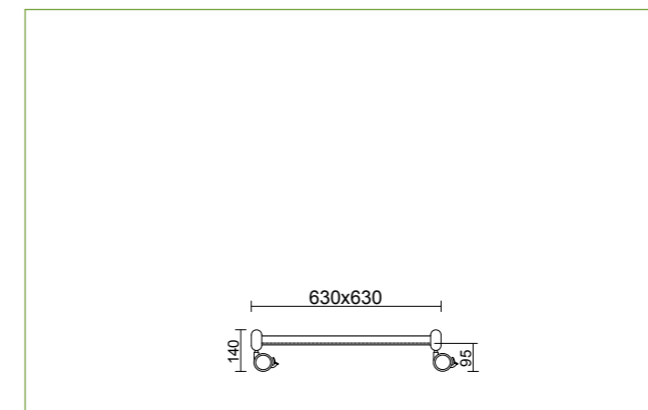
Mikado on casters



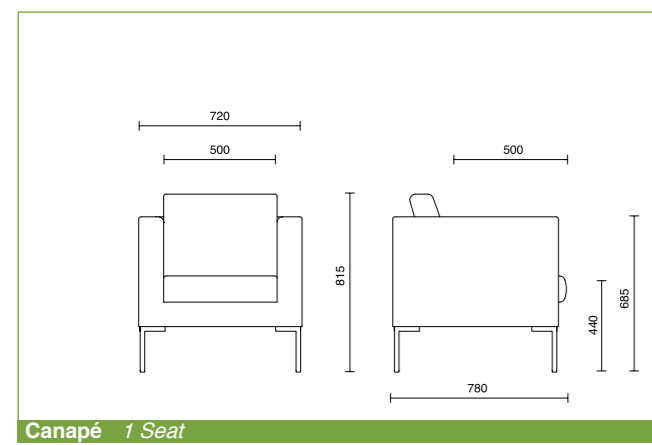
Mikado on casters, with arms



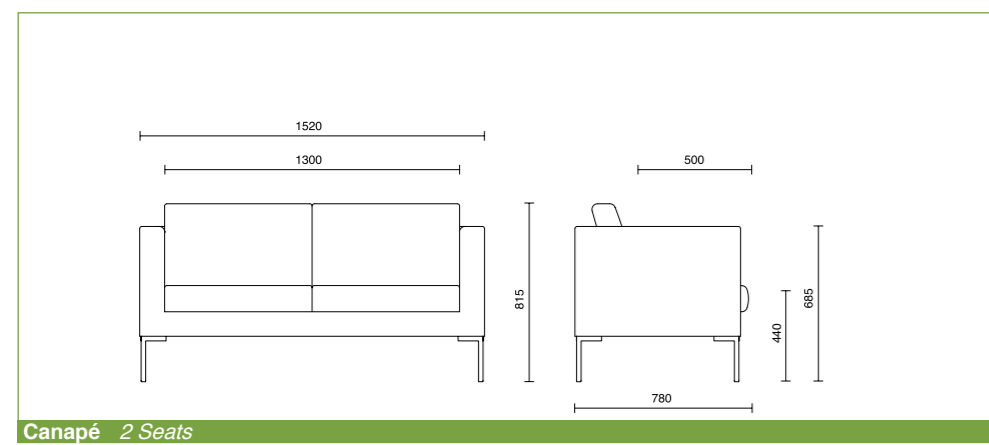
Mikado on casters, with writing tablet



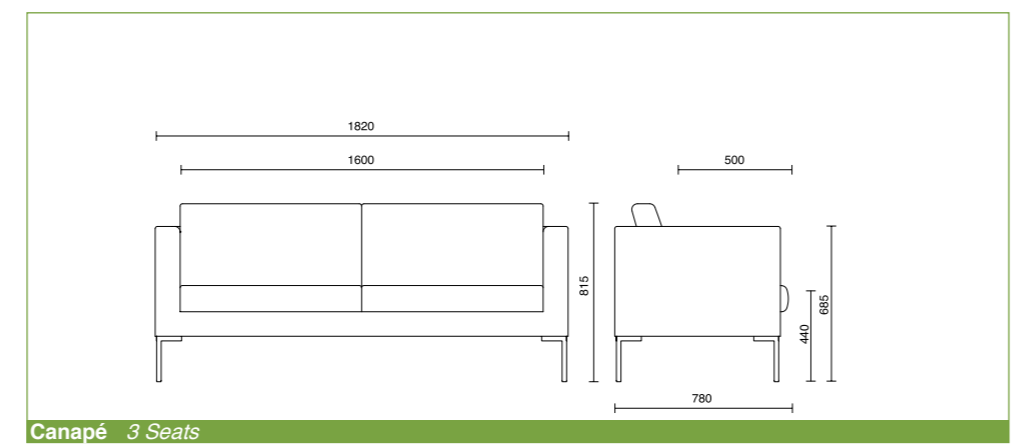
Mikado Trolley



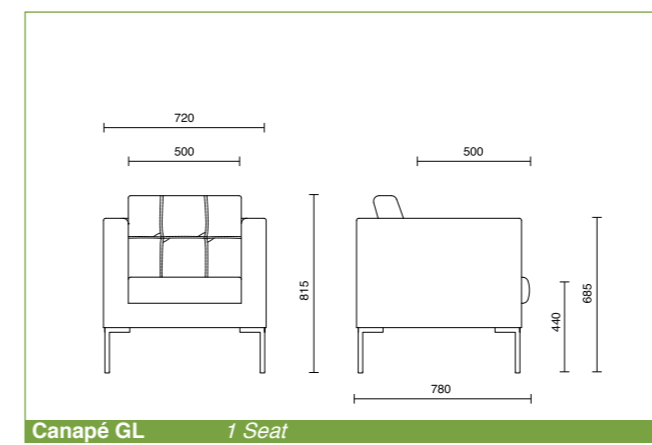
Canapé 1 Seat



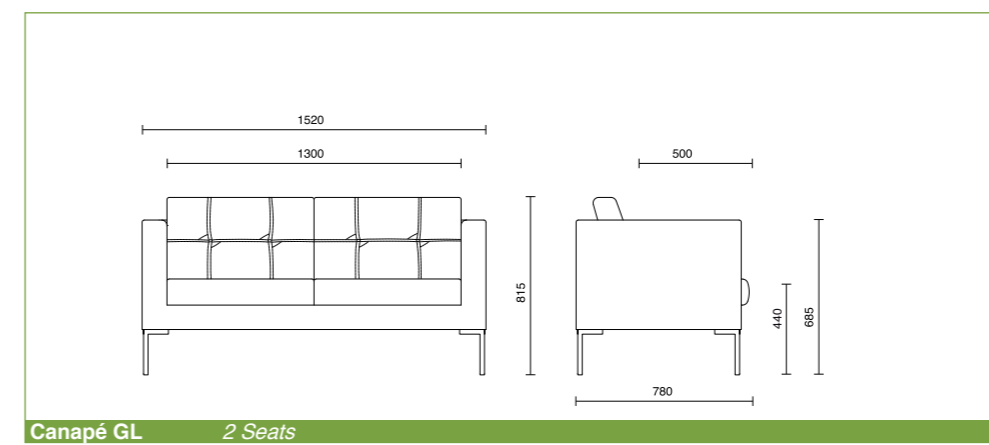
Canapé 2 Seats



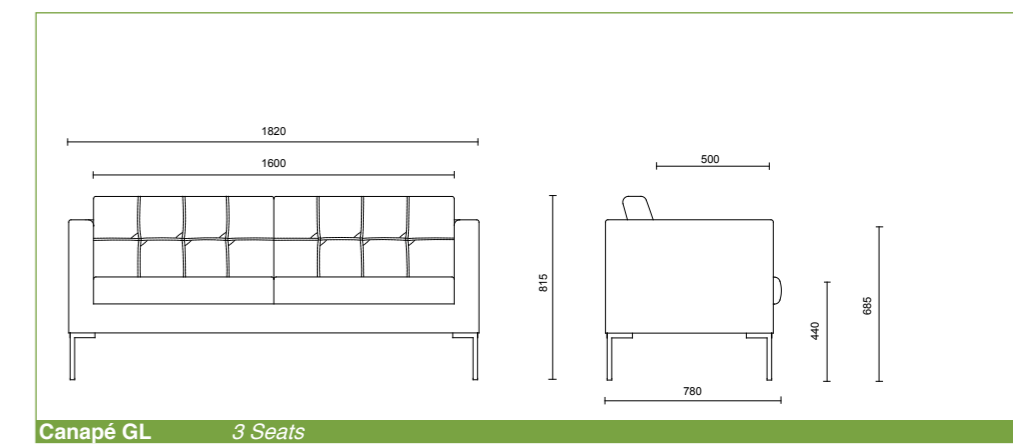
Canapé 3 Seats



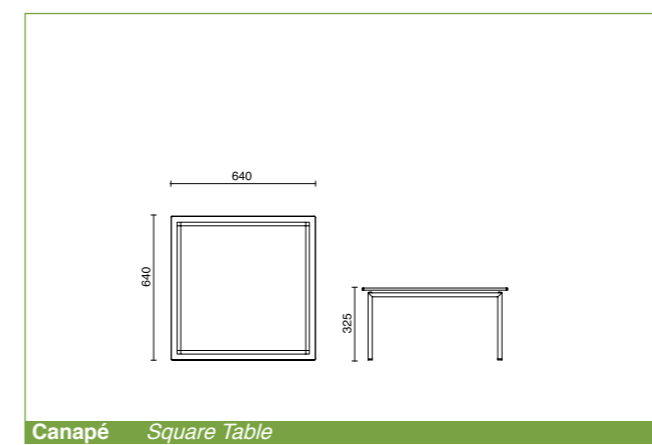
Canapé GL 1 Seat



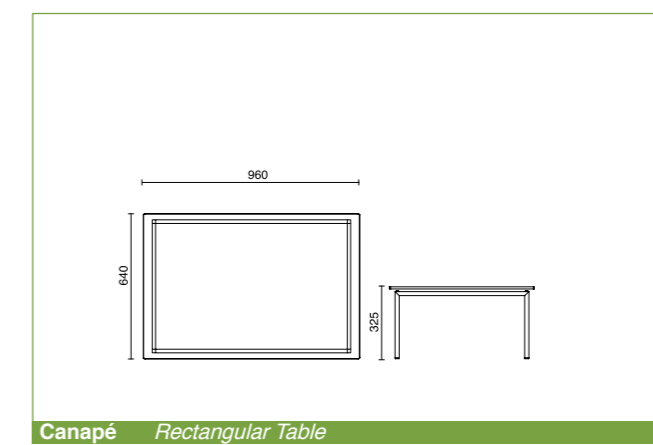
Canapé GL 2 Seats



Canapé GL 3 Seats



Canapé Square Table



Canapé Rectangular Table

SitLand è un
marchio depositato.

SitLand S.p.A. è certificata
secondo la Norma
UNI EN ISO 9001: 2008

Qualità Ambientale
UNI EN ISO 14001: 2004

SitLand S.p.A. si riserva
la facoltà di modificare,
in qualunque momento e senza
preavviso, le caratteristiche
tecniche dei modelli illustrati
nel presente Catalogo.

*SitLand is a
registered trade mark.*

*Quality System
accreditation according to
UNI EN ISO 9001: 2008*

*Ecoquality
UNI EN ISO 14001:2004*

*SitLand S.p.A. reserves
the right to change, at any time
and without prior warning,
the technical specification
of any product illustrated
in this catalogue.*

La gru. Mille anni di vita. Mille anni di felicità.
Mille anni di valori che si fondono insieme in una singola gru
capace di trasformarsi in un dono prezioso.

*The Crane. A thousand years of life.
A thousand years of happiness. A thousand years of values
that come together in a single crane, capable to be transformed into a precious gift.*

Restart è impegno, passione e ripresa.
È un progetto dove linee differenti si intersecano e danno vita a prodotti dove design,
qualità e valore aggiunto si fondono insieme.
Prodotti che racchiudono un'occasione di riscatto e i migliori auguri per un brillante futuro.

*Restart means commitment, passion and recovery.
Restart is a project where different lines intersect and start off a collection
of products where design, quality and added value merge together.
These products include the best wishes for a brighter future.*

SitLand®
www.sitland.com

SitLand spa
Via Cà Silvestre, 52
36024 Nanto - Vicenza - Italy
Tel + 39 0444 637100
Fax + 39 0444 638407
info@sitland.com
service@sitland.com